

HANS Stainless Steel Filter Cartridge Housing

Stainless Steel Filter Housing consists of SUS316L / SUS316 / SUS304, and takes filter cartridge as its element. The SS filter housing can be used for filtration of liquid, gas or 0.1um above particles or bacteria, with high removal rating and flow rate. It possesses the properties of lower absorption, no medium shedding, no leakage, acid and alkali resistance, and corrosion resistance. In addition, it is easy to wash and function as back flush, and it is the very ideal filtration equipment for the industries such as biology & pharmacy, beer & beverage, chemical, and water treatment etc.

HANS High Pressure Filter Housing (SB Series)

Features

- High pressure cartridge filter housing could satisfy customers' needs
- Four sets strengthen eye bolt disperses housing inside pressure and makes sure the safety of high pressure operation.
- Lifting-cover type can fasten on the housing, saving the space, convenience and safety
- Modularized top rounded cover and brim one piece design with high intensity and high strength feature would not deformed by high pressure operation.
- Modularized cartridge plate design, making cartridge-arrangement accuracy. It would not crooked when giving pressure from upper side
- Pressure plate nut design can fasten without using any tools
- Patented spring design has easy using function, offering more convenience when replace cartridge
- Cup design could be used for DOE and SOE(222)

Applications

- Water
- Groundwater
- Food Industry
- Beverage Industry
- Environmental Industries
- Electronic Industry
- Machinery oil
- Electroplating Industry
- Petrochemical Industry
- Pool
- Unique liquid filtration
- Industrial wastewater treatment



Your One Stop Water Solution Centre

Specialising in :

- Ultrapure Water
- Pharmaceutical Water
- Potable Water
- Effluent Treatment
- Complementary Products & Services

Specifications

- a) Housing Material :
- Stainless Steel 304
 - Stainless Steel 316
 - Stainless Steel 316L

- b) Making Method :
- Polished
 - Sand Blast
 - Electrolyze
 - Acid Washing

- c) Pressure :
- Design – 100 psi
 - Operating – 70 psi

- d) Temperature :
- Design – 100 °
 - Operating – 75 °

- e) Cartridge Capacity :

Code	1R	3R	5R	7R
Cartridge	1	3	5	7

Note : Please refer sales personal to checking other cartridge capacity

- f) Length :

Code	1L	2L	3L	4L
Inch	10	20	30	40

- g) End Caps :

- Double Open End (DOE)
- Single Open End with 222/Flat (S2C)
- Single Open End with 222/Flat (S2F)

- h) O-Ring

- EPDM
- Viton
- PTFE

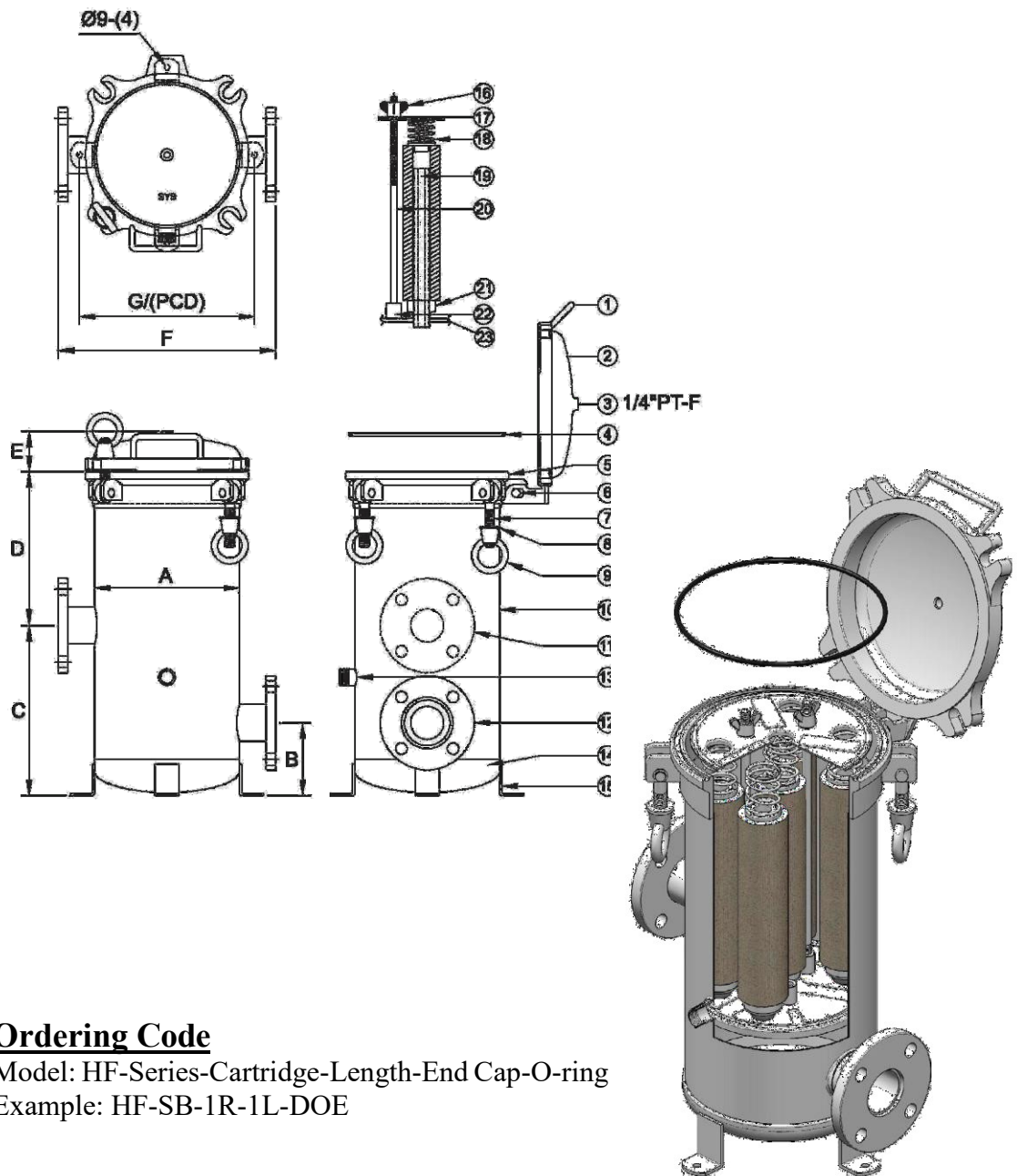


Your One Stop Water Solution Centre

- Specialising in :
- Ultrapure Water
 - Pharmaceutical Water
 - Potable Water
 - Effluent Treatment
 - Complementary Products & Services

Model	Length	m/m							M3/H	GPM	Weight (kg)	Volume (Liter)
		A	B	C	D	E	F	G/(PCD)				
SB-5~7	10	Ø232	120	280	258	67	358	Ø288	5 ~ 7	25 ~ 35	30	23
SB-5~7	20	Ø232	120	280	513	67	358	Ø288	10 ~ 14	50 ~ 70	35	34
SB-5~7	30	Ø232	120	280	768	67	358	Ø288	15 ~ 21	75 ~ 105	40	45
SB-5~7	40	Ø232	120	280	1023	67	358	Ø288	20 ~ 28	100 ~ 140	46	55

No	Description
1	Handle
2	Top Cover
3	Vet
4	O-Ring
5	Shell Flange
6	Spindle
7	Eye Bolt
8	Washer
9	Eye Nut
10	Shell
11	Port Inlet
12	Port Outlet
13	Drain
14	Bottom Cover
15	Support Leg
16	Nut
17	Pressure Plate
18	Springs
19	Cartridge Post
20	Center Post
21	Pedestal
22	Nut
23	Cartridge Support Plate



Ordering Code

Model: HF-Series-Cartridge-Length-End Cap-O-ring
 Example: HF-SB-1R-1L-DOE

Your One Stop Water Solution Centre

Specialising in :

- Ultrapure Water
- Pharmaceutical Water
- Potable Water
- Effluent Treatment
- Complementary Products & Services

HANS Low Pressure Filter Housing (CT Series)

Features

- Low pressure design cartridge filter housing could satisfy customer's needs
- Cartridge filter housing using patented clamp conforms with ergonomics
- Cup design could be used for DOE and SOE (222)
- Cartridge filter housing use patented spring design offering convenience on easy-using and filter element replacement
- Modularized cartridge plate design, making cartridge-arrangement accuracy. It would not crooked when giving pressure from upper side
- Pressure plate nut design can fasten without using any tools
- Thick and high density O-ring would not falling when closing the top cover, offering convenience and safety
- Unique awarded with National Environmental Protection Equipment Quality, product quality is guaranteed

Applications

- Water
- Groundwater
- Food Industry
- Beverage Industry
- Environmental Industries
- Electronic Industry
- Machinery oil
- Electroplating Industry
- Petrochemical Industry
- Pool
- Unique liquid filtration
- Industrial wastewater treatment



Your One Stop Water Solution Centre

Specialising in :

- Ultrapure Water
- Pharmaceutical Water
- Potable Water
- Effluent Treatment
- Complementary Products & Services

Specifications

- a) Housing Material :
- Stainless Steel 304
 - Stainless Steel 316
 - Stainless Steel 316L

- b) Making Method :
- Polished
 - Sand Blast
 - Electrolyze
 - Acid Washing

- c) Pressure :
- Design – 100 psi
 - Operating – 70 psi

- a) Temperature :
- Design – 100 °C
 - Operating – 75 °C

- b) Cartridge Capacity :

Code	1R	3R	5R	7R
Cartridge	1	3	5	7

Note : Please refer sales personal to checking other cartridge capacity

- c) Length :

Code	1L	2L	3L	4L
Inch	10	20	30	40

- d) End Caps :

- Double Open End (DOE)
- Single Open End with 222/Flat (S2C)
- Single Open End with 222/Flat (S2F)

- e) O-Ring

- EPDM
- Viton

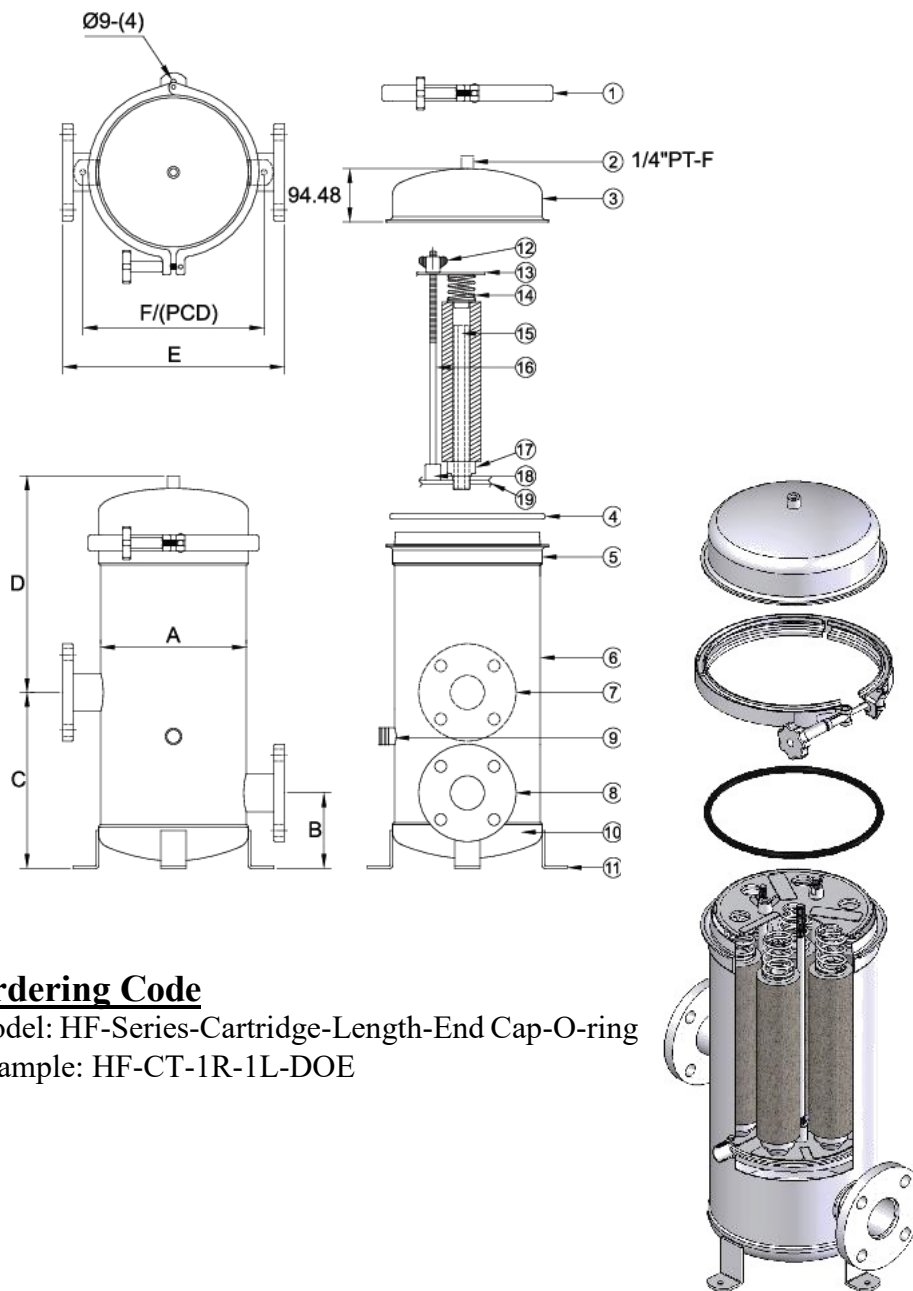


Your One Stop Water Solution Centre

- Specialising in :
- Ultrapure Water
 - Pharmaceutical Water
 - Potable Water
 - Effluent Treatment
 - Complementary Products & Services

Model	Length	m/m					F/(PCD)	M3/H	GPM	Weight (kg)	Volume (Liter)
		A	B	C	D	E					
CT-5~7	10	Ø232	120	280	340	352	Ø288	5 ~ 7	25 ~ 35	21	23
CT-5~7	20	Ø232	120	280	605	352	Ø288	10 ~ 14	50 ~ 70	25	34
CT-5~7	30	Ø232	120	280	860	352	Ø288	15 ~ 21	75 ~ 105	28	45
CT-5~7	40	Ø232	120	280	1115	352	Ø288	20 ~ 28	100 ~ 140	31	55

No	Description
1	Clamp
2	Vent
3	Top Cover
4	O-ring
5	Shell Flange
6	Shell
7	Port Inlet
8	Port Outlet
9	Drain
10	Bottom Cover
11	Support Leg
12	Nut
13	Pressure Plate
14	Springs
15	Cartridge Post
16	Center Post
17	Pedestal
18	Nut
19	Cartridge Support Plate



Ordering Code

Model: HF-Series-Cartridge-Length-End Cap-O-ring

Example: HF-CT-1R-1L-DOE

Your One Stop Water Solution Centre

Specialising in :

- Ultrapure Water
- Pharmaceutical Water
- Potable Water
- Effluent Treatment
- Complementary Products & Services